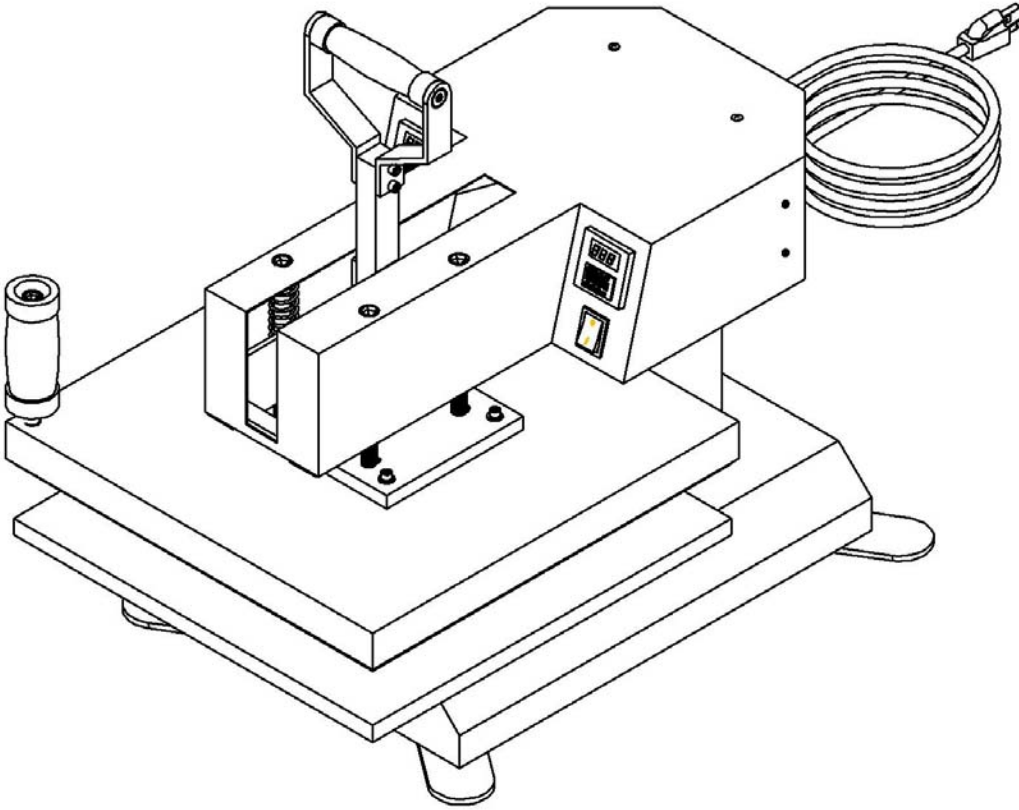


Swing Away Heat Press Machine **Manual**

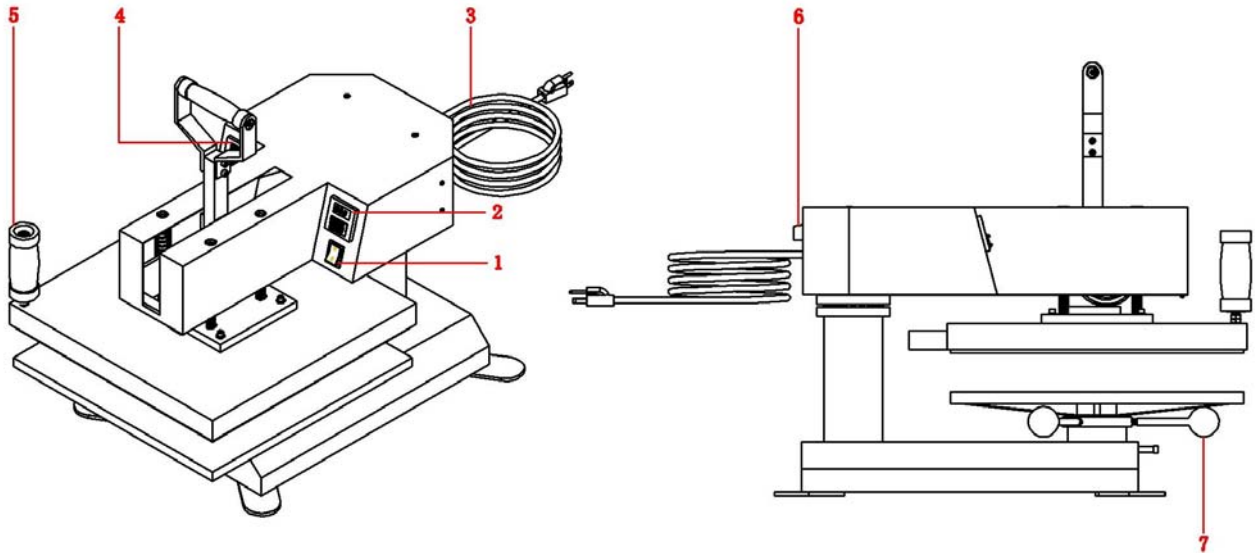
Model NO.: SA-15/20/24



CONTENTS

- I. Assembly Drawing -----2
- II. Technical Parameters -----2
- III. Operation Process -----3-4
- IV. Maintenance -----5
- V. Trouble Shooting For Transfer Print Quality-----5
- VI. Circuit Diagram -----6
- VII. Explosion View -----7-8

I. Assembly Drawing



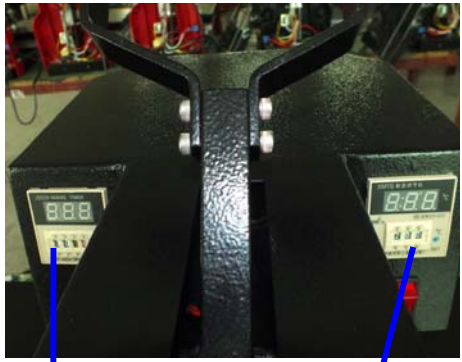


- | | | | |
|----------------|--------------------------|---------------------|-------------------|
| ① Power Switch | ② Temperature Controller | ③ Power Cord | ④ Time Controller |
| ⑤ Swing Handle | ⑥ Fuse | ⑦ Pressure Adjuster | |

II. Technical Parameters




1. Model No.: SA-15/20/24
2. Machine Dimension: 630*325*390mm/ 630*325*520mm/630*325*620mm
3. Heat Platen Size: 15 x 20", 16"x20", 20"x24"(38 x 38, 40x50, 40x60cm)
4. Printable Articles Max Size: 380*380*10mm
5. Voltage: 220V/1Phase; 110V/1Phase
6. Power: 220V/1.8KW; 110V/1.2KW
7. Recommend Setting: 30~280s; 180~200°C
Time Range: 0~480s
Maximum Temp: 225 C°
8. Packing Size: 73*48*48cm/ 75*60*50cm/ 74*69*49cm
9. Gross Weight: 40.95kg/ 50.3kg/ 52.55kg

III. Operation Process

1. Set temperature required

 <p>Time Temp</p>		
<p>The meter on the left side is timer, and the one on the right hand is the temperature controller.</p>	<p>Power on, the display shows Centigrade.</p>	<p>Then set the moderate temperature by pressing “-” or “+” button.</p>

2. Set time required

		
<p>Then set the time by pressing “-” or “+” button.</p>	<p>When rising to the set temperature, close down the heat platen. Then the time controller starts to countdown.</p>	<p>Once the time is up, the buzzer will send out sound. Then open and swing away the heat platen.</p>

3. Printing methods

Setp 1: Make sure the cord is connected well to the wall socket. Place the object (i.e. T-shirt) on press bed, and transfer paper with images facing down the object, adjust pressure to your requirement, and turn on the power.

Setp 2: Set the temperature and time required, then temperature starts to rise.

Setp 3: When the temperature rises to the setting temperature, the buzzer sends out sounds; then close down heat platen (meantime the sounds stop) and starts to transfer.

Setp 4: Then the time counter is on, once time is up, the buzzer will send out sounds again; then lift up the heat platen and swing it away at the same time, meantime the sounds stop. Transfer work finished.

Setp 5: Consult the Transfer Paper instructions on whether to peel cold or hot, Here are suggested Pressing time guidelines for different transfer paper.

Ink-Jet Transfer Paper (fabric) 14-18 seconds

Laser Copier/Printer Transfer Paper (fabric) 18-25 seconds

Sublimation Transfers (onto Fabrics) 25-30 seconds

Sublimation Transfers (onto FR-Plastic/Woods) 60-70 seconds

5. Recommendations:

1) Ceramic tile transfer:

Set temperature: 180°C.

Set time: 15 seconds

2) T-shirt transfer:

Set temperature: 180°C.

Set time: (chemical fiber use for sublimation transfer paper: 30-50 seconds; pure cotton use for T-shirt transfer paper: 10-20 seconds)

3). Aluminum sheet transfer:

Set temperature: 180°C

NOTE:

1) Please switch off the machine and unplug the power cord when the machine is not in use.

2) The heat platen will cool down to the room temperature, if heat press stays unuse for more than 30 minutes.

3) The heat-releasing fan will automatically starts when the temepature of heat platen reaches 80 degree C (176 degree F). It helps to reduce the temperature of electrical parts and prolong the service life of them.

4) For better maintenance of heat press, the maximum setting temperature is 210 degrees C (410 degrees F).

5) To avoid re-heating the first transfer when printing double sided T-Shirts, insert a sheet of cardboard in between the shirt, adjust the height to less pressure, then press.

6) Heat platen may pivot slightly back and forth rotationally. This is due to movement allowance within the clamp assembly, and is normal.

IV. Maintenance

1. No action after turn on the machine

- 1). Check the plug whether it connects well or whether it is broken.
- 2). Check the power switch or digital controller whether it is broken.
- 3). Check the fuse whether it has been burnt out.
- 4). Indicating light is on, but no display on screen, check the 5 cable of Railway transformer. If it's loosening, showing the problem is poor connection. If they connects well, showing that the Transformer is faulty.

2. The display screen are working well, but no temperature increasing on the heat platen.

- 1). Check whether the thermocouple of the heat platen touches well. If the thermocouple is loose, the display will show 255 and machine keeps beeping.
- 2). Check if the indicating light of solid-state relay is on, if not, check if the relay or digital controller is broken.
- 3). If you already changed the new solid-state relay but the heat platen still can't heating up, check if the heat platen is faulty or the heat platen's power cable is loose, need to change by new heat platen.

3. The heat platen works well, but suddenly the display screen show 255°C.

- 1). Check whether the thermocouple of the heat platen touches well.
- 2). If the thermocouple touches well but still show 255°C, then it is faulty.

4. The machine is heating during 0~180°C, but display number jumps to above 200°C or 300°C suddenly, or the numbers on display jumps irregularly.

- 1). Check whether the thermocouple of the heat platen touches well.
- 2). If the thermocouple is good, It shows that the program of digital controller is broken, which namely IC or is broken, need to change by new controller.

5. The temperature is out of control: Set 180°C, but the actual temperature is above 200°C.

- 1). It means the solid-state relay is broken, out of control, need to change the relay.
- 2). Or the digital controller is faulty and it keeps conveying electric to relay, need to change controller.

6. The setting temp and time becomes abnormal after exchange the heat platen

- 1). Please reset the temp and time according the operation process manual.

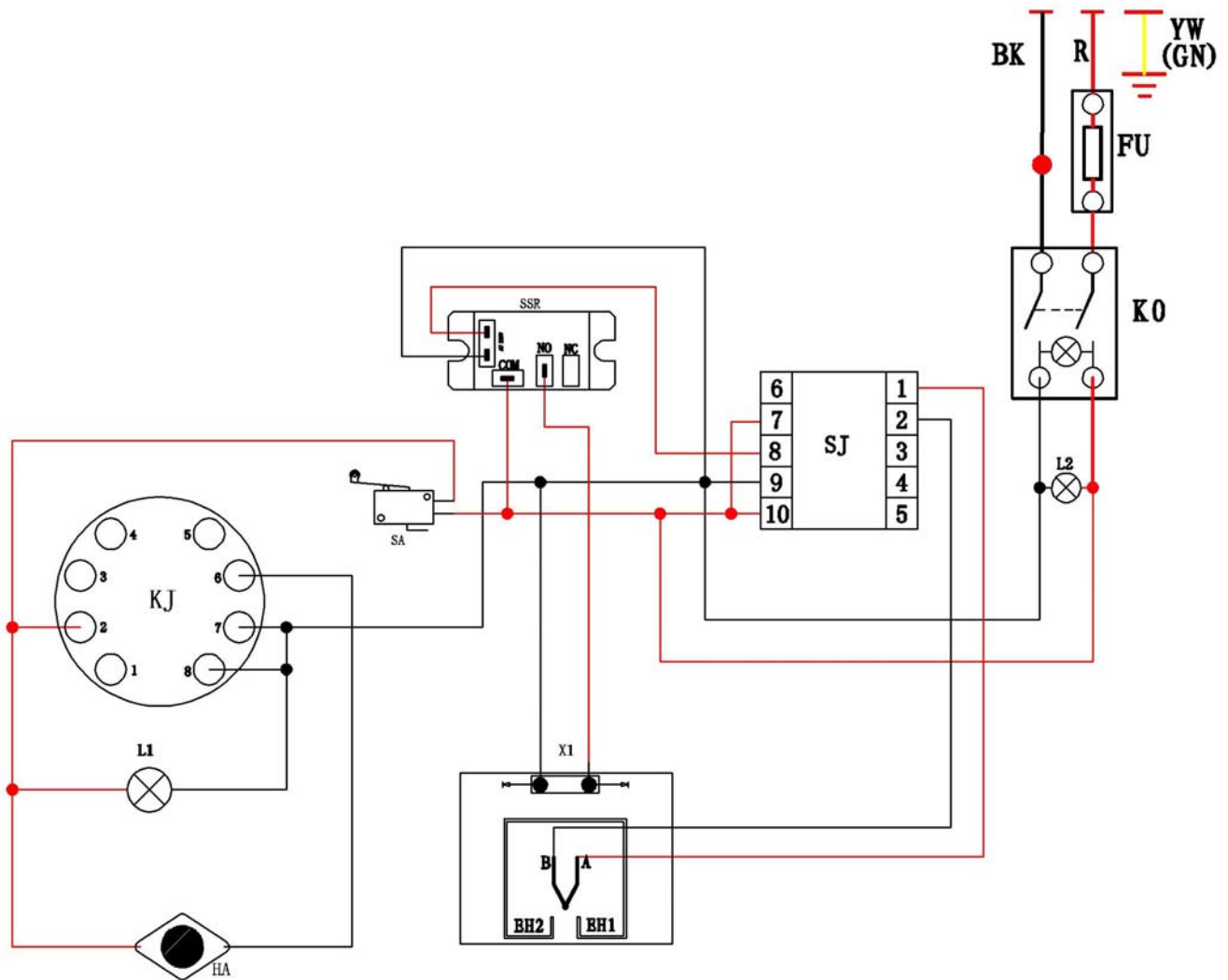
7. Other notice

- 1). In order to prolong the machine service life, please add the lubrication oil regularly on the joints.
- 2). In order to keep the heat platen's good transfer effect, you need to protect the heat platen carefully whenever you are using it or not.
- 3). Please keep the machine in dry place.
- 4). If you are not able to solve the electrical parts problem, please kindly contact the supplier and get technical support.

V. Trouble shooting for transfer print quality

1. If the print color is pale: the temperature is too low / the pressure is not correct / or not pressed long enough.
2. If the print color is too brown or the transfer paper is almost burnt: reduce the setting temperature
2. If the print is blurring: too much transfer time causes proliferation.
3. If print color is different/ partial transfer effect is not good enough: the pressure is not enough / or not pressed long enough / or poor quality transfer paper.
4. If transfer paper stick to the object after transfer: the temperature is too high/ or poor quality printing ink.

VI. Circuit Diagram



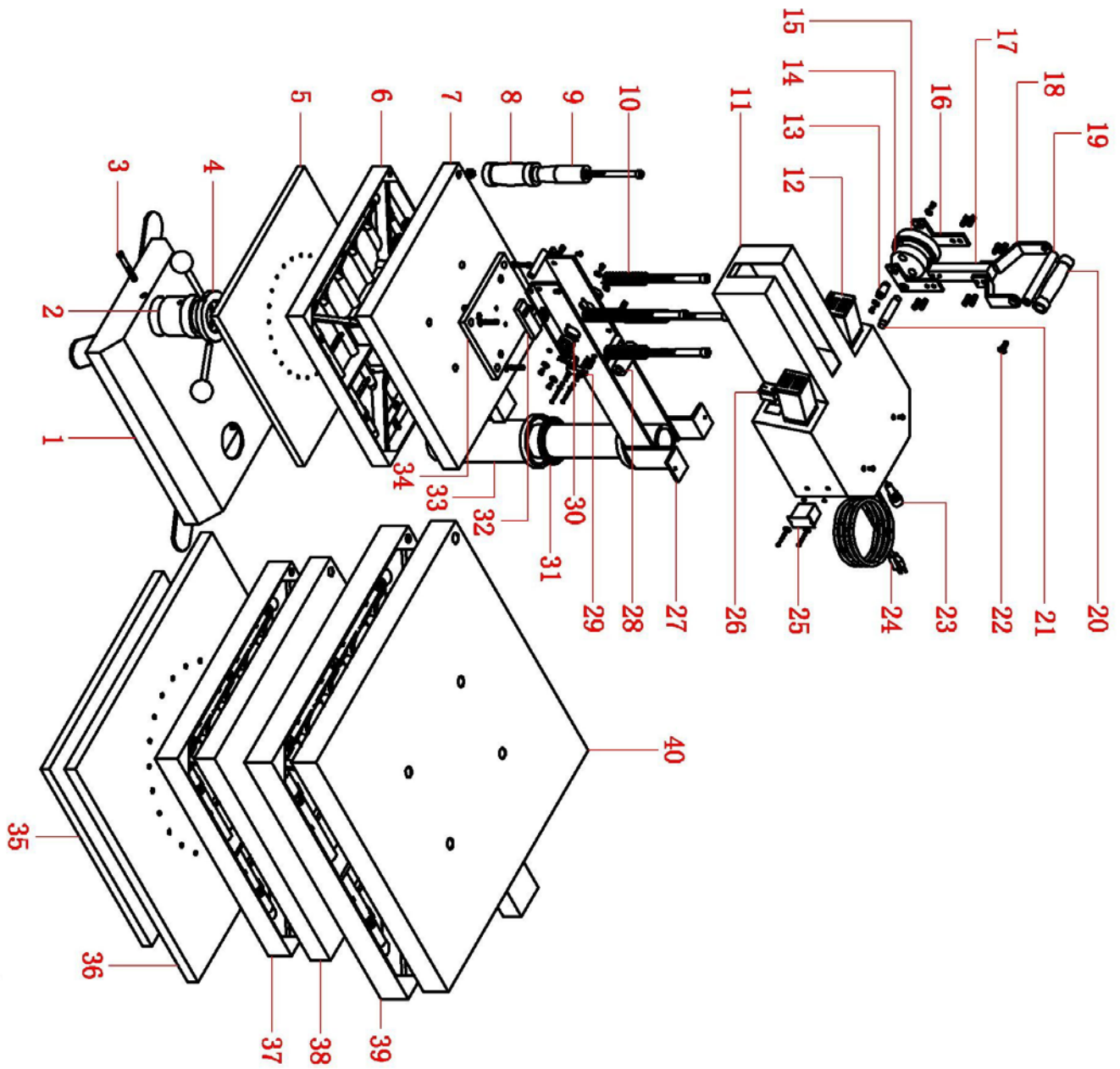
K₀: Power Switch
 ST: Thermocouple
 L1: Time Indicator

SA: Limit Switch
 KJ: Time Relay
 L2: Temperature Indicator

FU: Fuse
 SSR: Solid State Relay
 HA: Buzzer

EH₁EH₂: Heating Pipe
 R1: Relay
 X1: Terminal

VII. Explosion View



Serial Name	Parts Name	Qty
1	Machine Base	1

2	Support Pillar	1
3	Inner Hexagonal Screw	1
4	Adjusting Gear	1

5	Under Plate	2
6	Heat Platen	1
7	Heat Platen Metal Cover	1
8	Pillar	1
9	Pillar Shaft	1
10	Spring	4
11	Davit Arm	1
12	Time & Temp Controller	1
13	Fixing Axis	1
14	Roller	1
15	Machine Bearing	1
16	Fixing Piece	1
17	Roller Fitting	1
18	Handle	2
19	Handle Shaft	1
20	Handle Bar Grip	1
21	Wheel Shaft	1
22	M8 Screw	10
23	Fuse	1

24	Power Cord	1
25	Relay	1
26	Power Switch	1
27	Fixing Piece	1
28	Rubber Rod	2
29	Power Switch	1
30	6061 Machine Bearing	2
31	51102 Machine Bearing	1
32	Adapting Plate	1
33	Pillar	1
34	Adapting Plate	1
35	400*500 Under Plate	1
36	400*600 Under Plate	1
37	400*500 Heat Platen	1
38	400*500 Heat Platen Cover	1
39	400*600 Heat Platen	1
40	400*500 Heat Platen Cover	1